

# Installation Instructions

MEL-3232-RD/MEL-4040-RD

**SUGGESTED TOOLS AND MATERIALS**



Screwdriver



Level



Drill



Tape Measure



Safety Glasses



Pencil

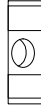
**PARTS & HAREWARE INCLUDED**



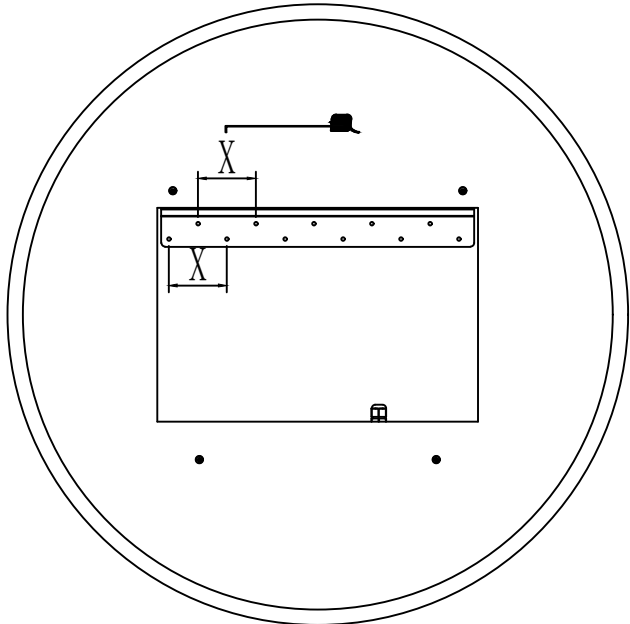
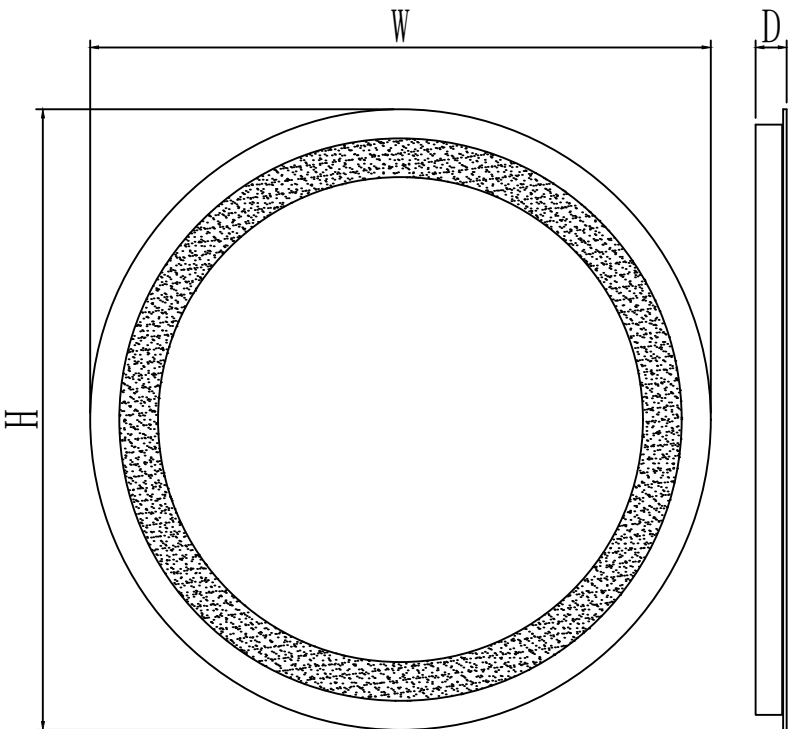
Anchor 6x



Screw 6x



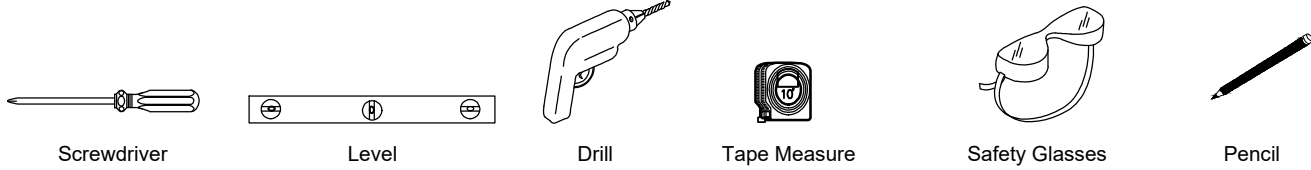
Level 1x



# Installation Instructions

MEL-3232-RD/MEL-4040-RD

## SUGGESTED TOOLS AND MATERIALS



## PARTS & HAREWARE INCLUDED



## INSTALLATION INSTRUCTIONS

①

1>Level the hanging cleat with a level ruler and mark the installation hole position of the hanging cleat with a pencil  
2>Drill holes

②

Insert the anchors into the wall(Use at least 5 anchors).

③

Install the hanging cleat into the wall.  
Use 5x45mm screws to hanging cleat to wall(Use at least 5 screws).

④

Wiring from light fitting

Neutral Wire	⊖	⊖	white(N)
Earth(green/yellow)	⊖	⊖	Green/yellow
Live Wire	⊖	⊖	black(L)

⑤

Hang the mirror onto the wall.

DETAIL A